

HOUSE 01 SVANEKÆRET ARCHIVAL STUDIES

Architects

Archival Studies

Værkstedvej 23
2500 København

Client

Conni Frøge

Svanekæret 3
3220 Tisvilde

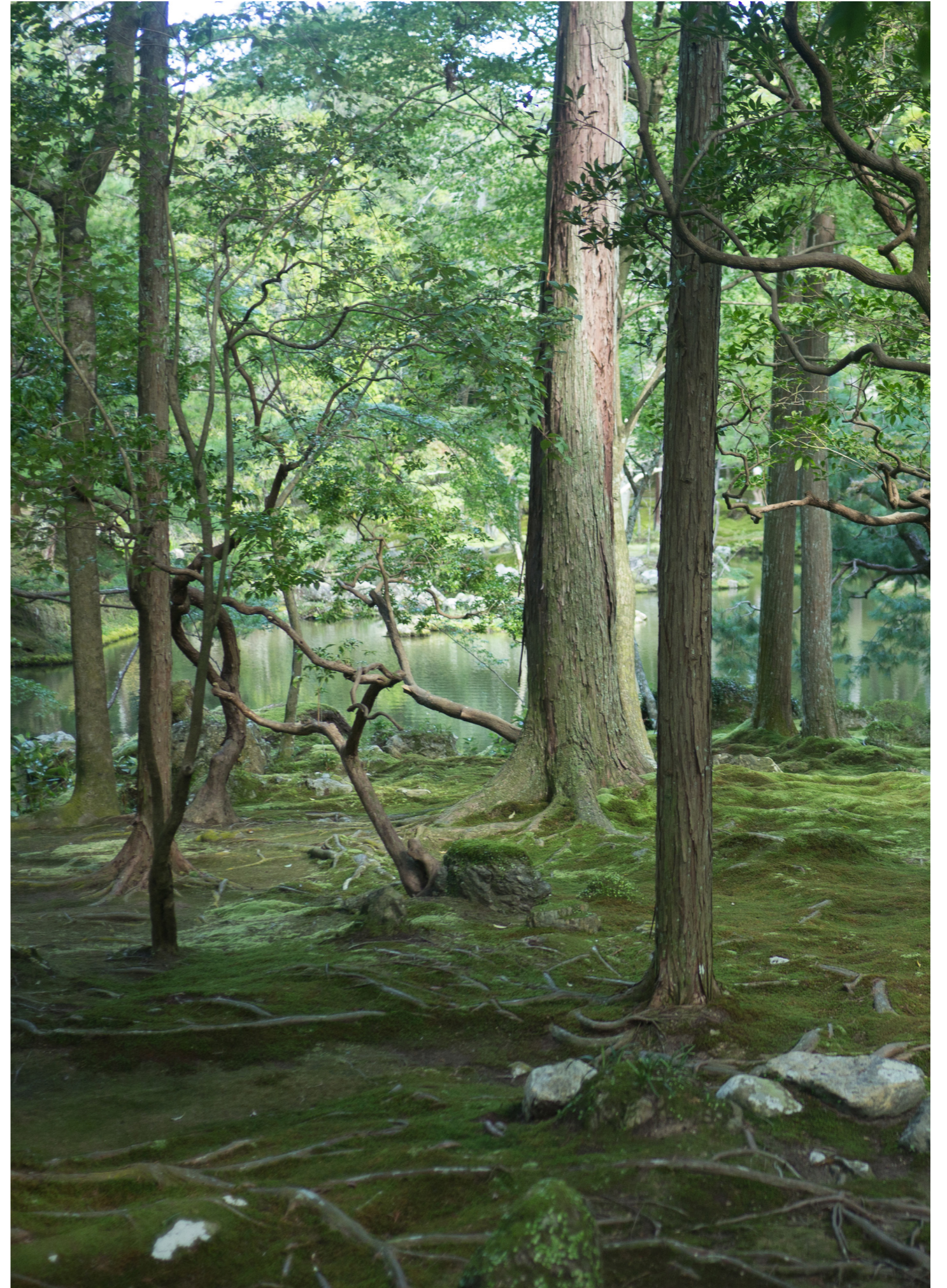
Date: 2024 07 05

ARCHIVAL STUDIES

Archival Studies is a Copenhagen-based design practice that explores interior architecture for transformation and care of the existing.

We actively engage with a network of partners, collaborating with private, public, and commercial clients, to apply regenerative concepts, flexible building systems, and sensory-rich environments.

Our potential lies in our focus on craftsmanship and production. We strive to inspire new standards for materials and shape a contemporary definition of architecture that addresses the numerous challenges our planet faces today.



REACHING THE BUILDING SCALE



Ply Chair, 2022
12 mm plywood



Ply Kiosk, 2024
15 mm plywood



Ply House, ultimo 2024
21 mm plywood

STUDIO STRUCTURE

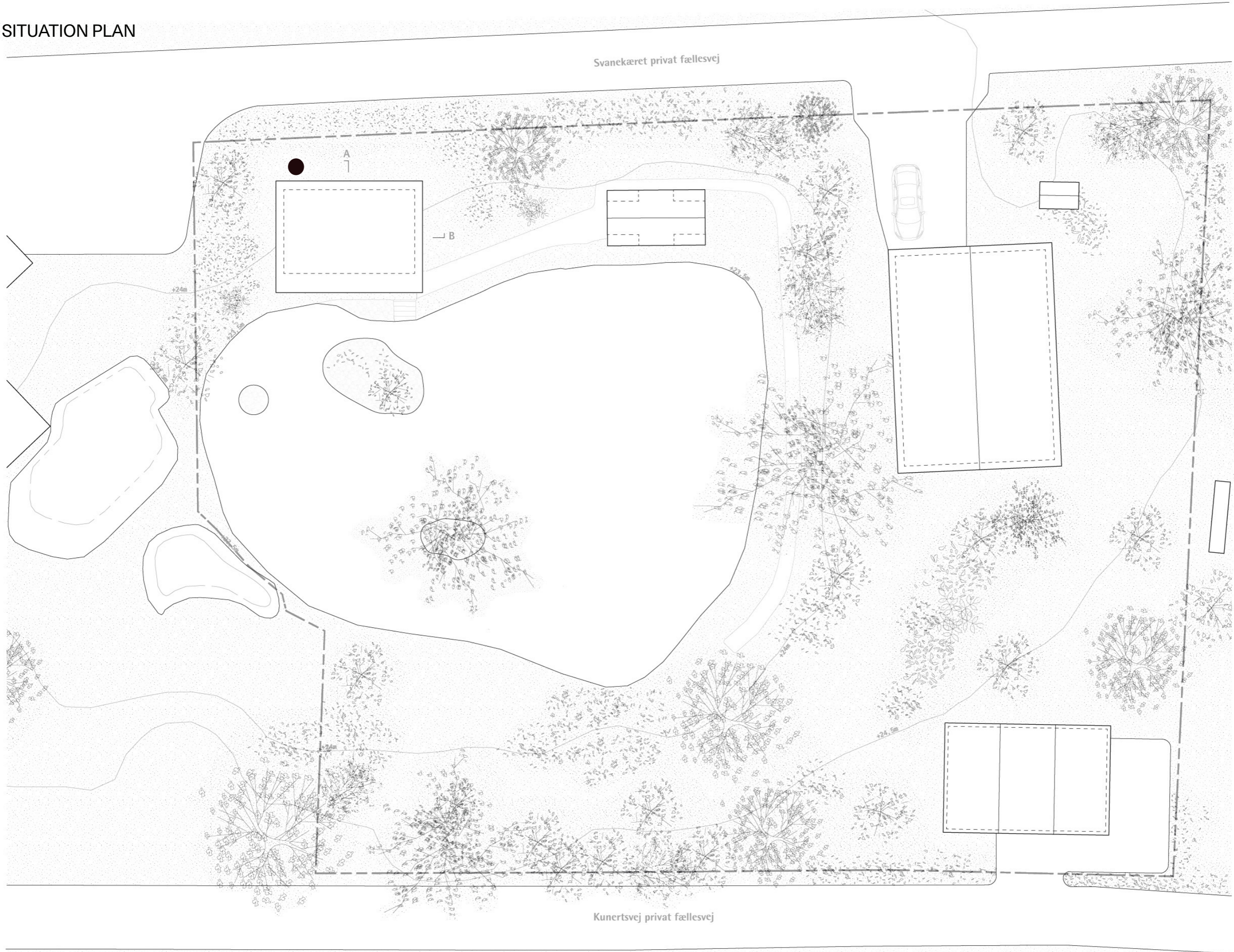




ARCHITECTURE



SITUATION PLAN



Archival Studies

Baadehavnsvej 42
2450 Copenhagen SV,
Denmark

PROJECT NAME:
SK01_Svanekaeret

PROJECT ADDRESS:
Conni Helle Frøge
Svanekæret 3
3220 Tisvilde
Matrikelnummer: 7be

NOTES:

DATE
03.05.2022

REVISION	DATE
1 Design Proposal	
2	
3	
4	
5	
6	

DATE: 03/05/22

PROJ #: SK01

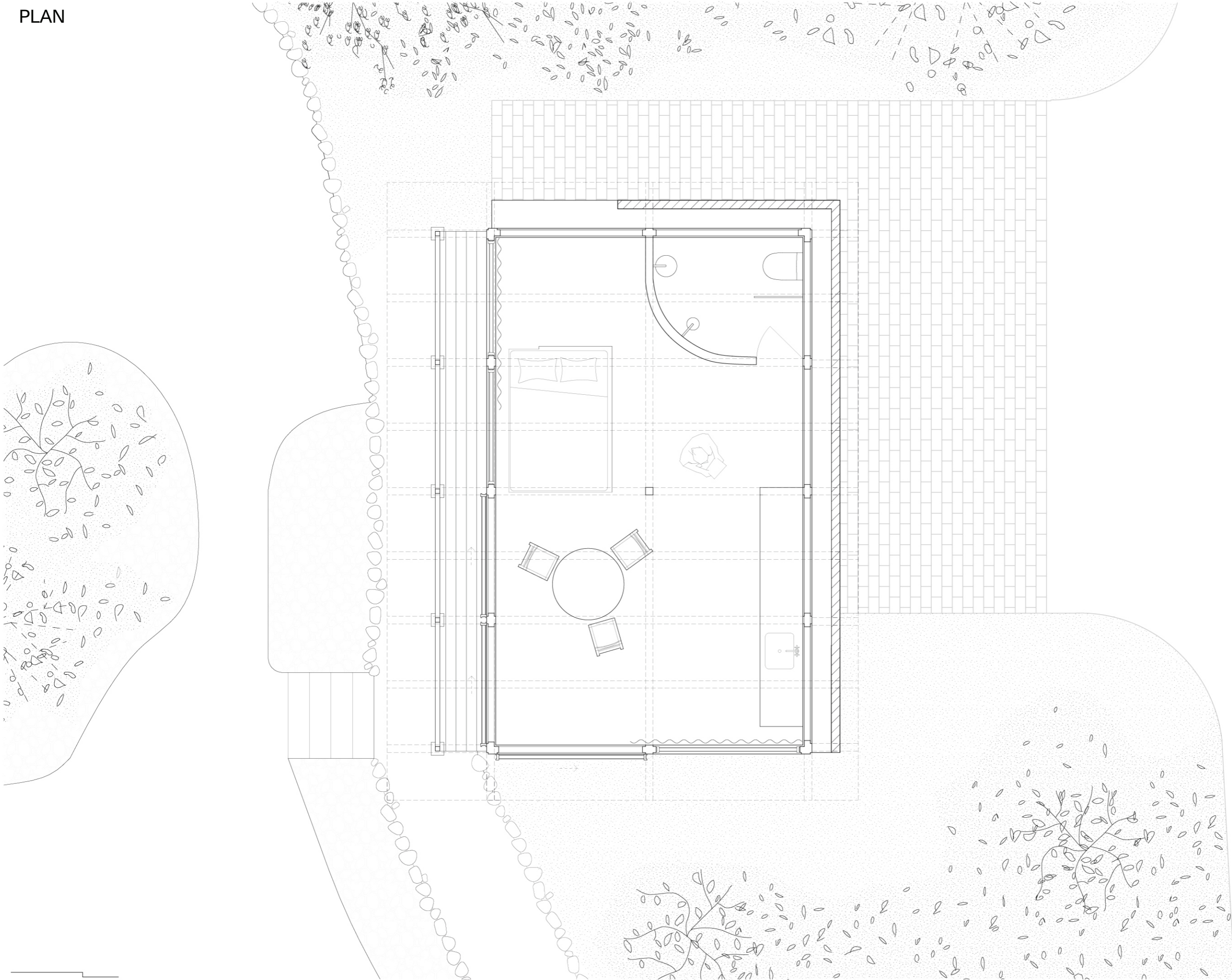
DRAWN BY: EMF

SITUATION PLAN

SCALE: 1:200

A-001

PLAN



Archival Studies

Baadehavsgade 42
2450 Copenhagen SV.
Denmark

PROJECT NAME:
SK01_Svanekaeret

PROJECT ADDRESS:
Conni Helle Frøge
Svanekaeret 3
3220 Tisvilde
Matrikelnummer: 7be

NOTES:

DATE
03.05.2022

REVISION	DATE
1 Design Proposal	
2	
3	
4	
5	
6	

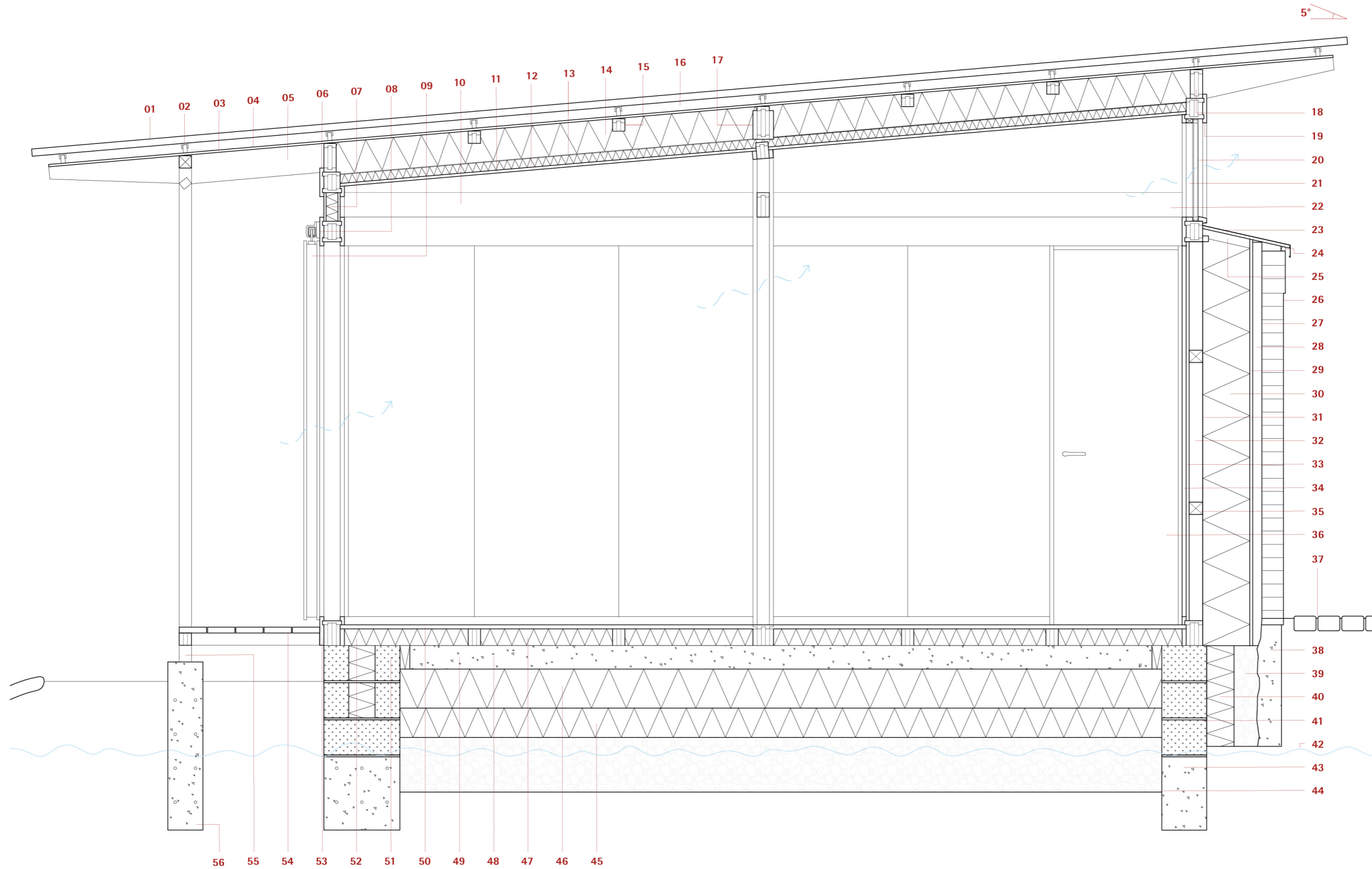
DATE: 03/05/22
PROJ #: SK01
DRAWN BY: EMF

PLAN

SCALE: 1:50

A-001

TECHNICAL SECTION



- | | | | | | | |
|--------------------------------|---|--------------------------------|-------------------------------------|--------------------------------------|------------------------------------|-------------------------------------|
| 01 Roof, sinus plates | 09 Sliding doors, three-layer glass, pine | 17 CLT, pine [165x105] | 25 Construction beam, pine [45x21] | 33 Facade panels, plywood, pine [21] | 41 Leca blocks [100x200x500] | 49 Construction beam, pine [120x50] |
| 02 U-profile, steel [3] | 10 Beam, CLT, pine [147x63] | 18 CLT, pine [147x63] | 26 Existing brick wall | 34 Facade panels, plywood, pine [21] | 42 Water level in winter | 50 Floor, pinewood, plywood [21] |
| 03 Dowel, steel [dia10] | 11 Ceiling plate, plywood, pine [15] | 19 Board, burned pine [21x147] | 27 Wall cardboard | 35 Construction beam, pine [63x63] | 43 Foundation, reinforced concrete | 51 Leca thermo-blocks [190x190x490] |
| 04 Wood fiber plate [12] | 12 Insulation, wood fiber [50] | 20 Window, three-layer glass | 28 Air gap & distance lists [45] | 36 Toilet door, plywood, pine | 44 Pearl stone | 52 Insulation, floor [85] |
| 05 Beam, CLT, pine [147x63] | 13 Vapor barrier | 21 Windowframe, pine | 29 Diffusion-open wind barrier [12] | 37 Existing concrete stone | 45 Insulation, flamingo [150] | 53 Foundation rem, pine [125x85] |
| 06 Board, burned pine [21x147] | 14 Insulation, wood fiber [200] | 22 Natural air ventilation | 30 Insulation, wood fiber [200] | 38 Existing foundation, concrete | 46 Insulation, flamingo [200] | 54 Terrace, pine [140x30] |
| 07 Wood fiber plate [21] | 15 Beam, pine [63x63] | 23 Roof, metal | 31 Vapor barrier | 39 Mortar mix, leca & concrete | 47 Construction beam [63x63] | 55 Column, pine [63x63] |
| 08 Running rail, steel | 16 Air gap [50] | 24 Snow catcher [dia22] | 32 Installation layer | 40 Insulation, flamingo [150] | 48 Concrete deck [120] | 56 Concrete foundation [depth 1000] |

Baadhavnsgade 42
2450 Copenhagen SV,
Denmark

PROJECT NAME:
SK01_Svanekaeret

PROJECT ADDRESS:
Conni Helic Frøge
Svanekaeret 3
3220 Tisvilde
Matrikelnummer: 7be

NOTES:
All measurements
in mm.

DATE
03.05.2022

REVISION
1 Design Proposal

DATE: 03/05/22

PROJ #: SK01

DRAWN BY: EMF

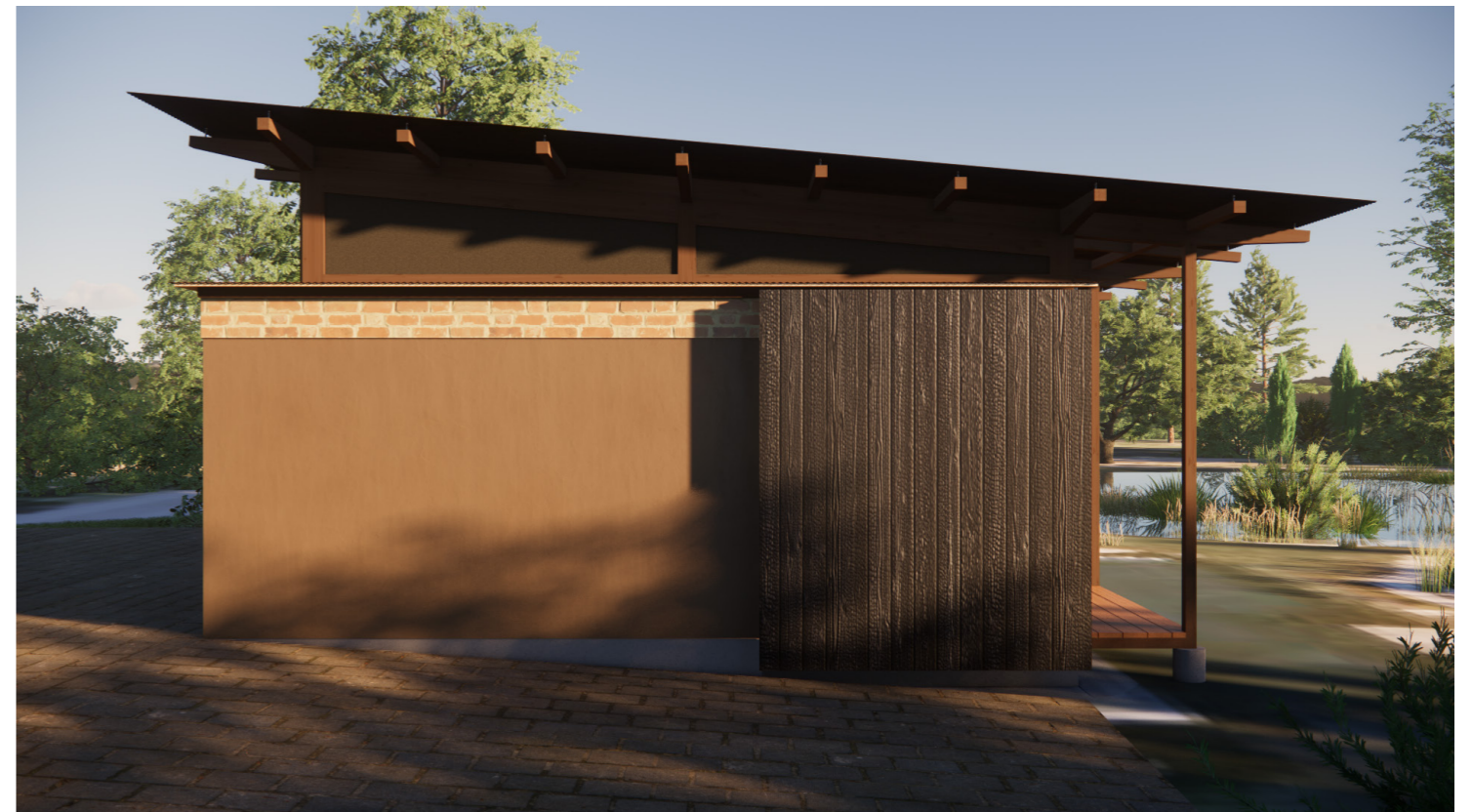
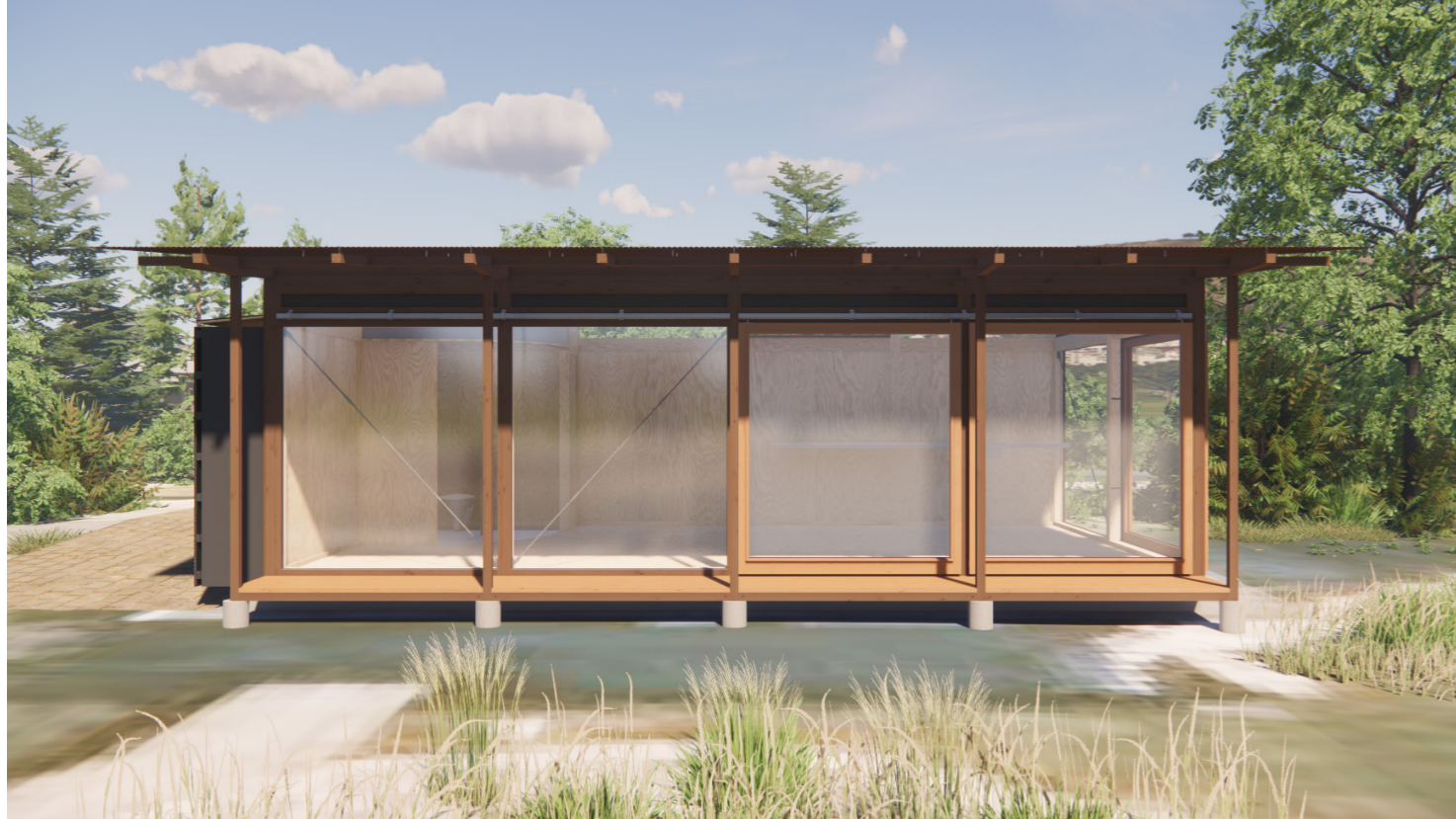
DETAIL SECTION

SCALE: 1:20

EXTERIOR PERSPECTIVE



EXTERIOR PERSPECTIVES



EXTERIOR PERSPECTIVE

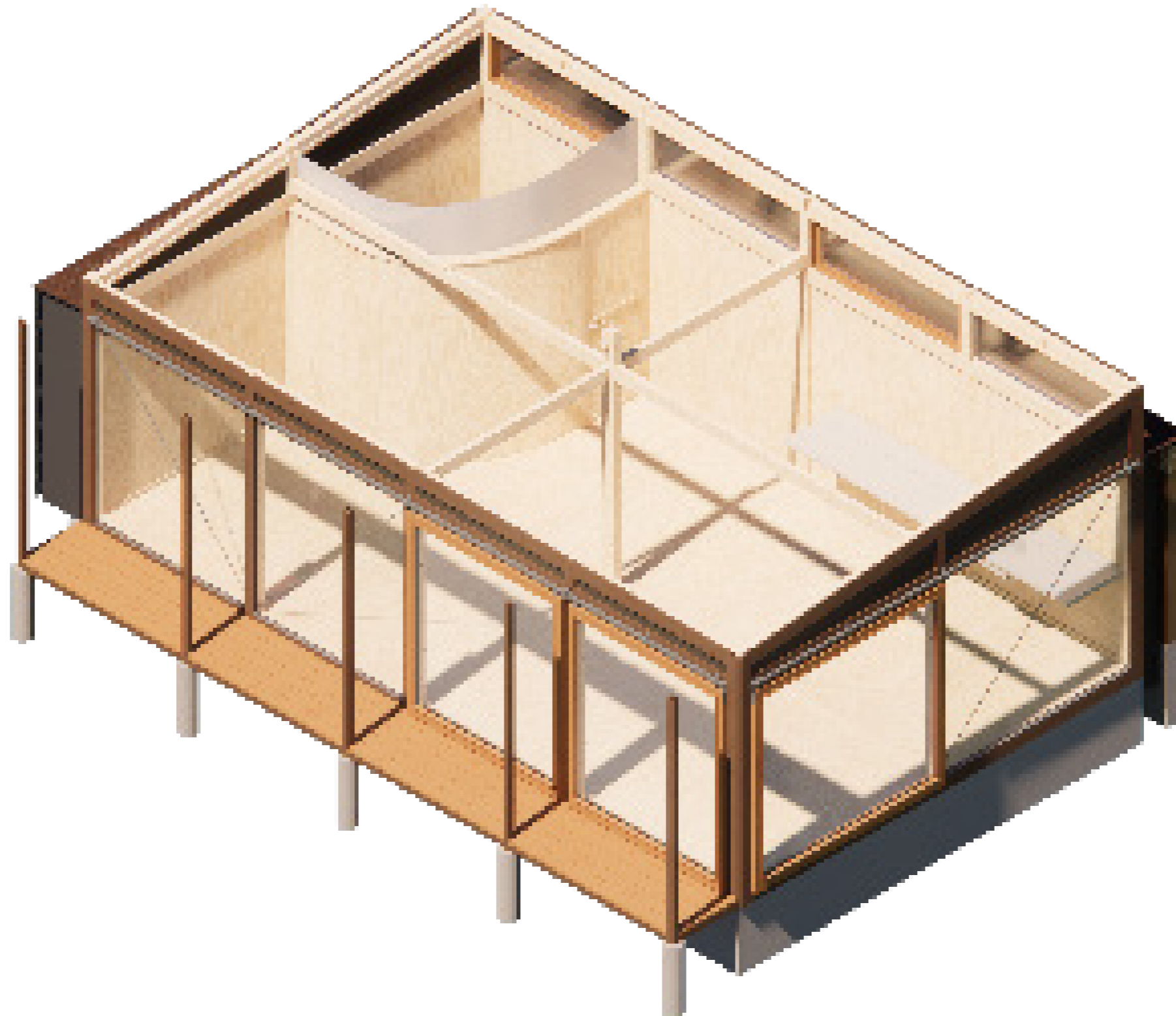


EXISTING CONDITION _ WINTER AND SUMMER



INTERIOR





INTERIOR PERSPECTIVE



INTERIOR PERSPECTIVE



INTERIOR PERSPECTIVE



SYSTEM AND MATERIALS

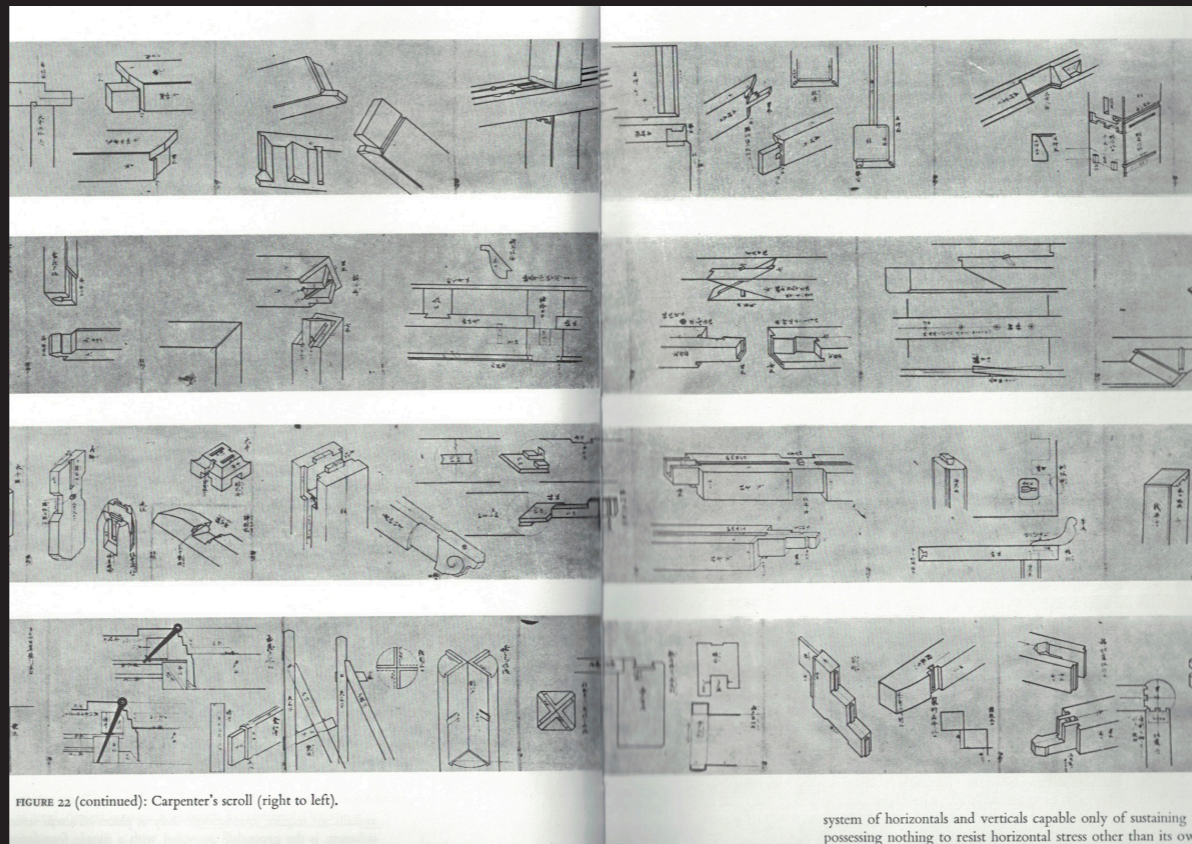
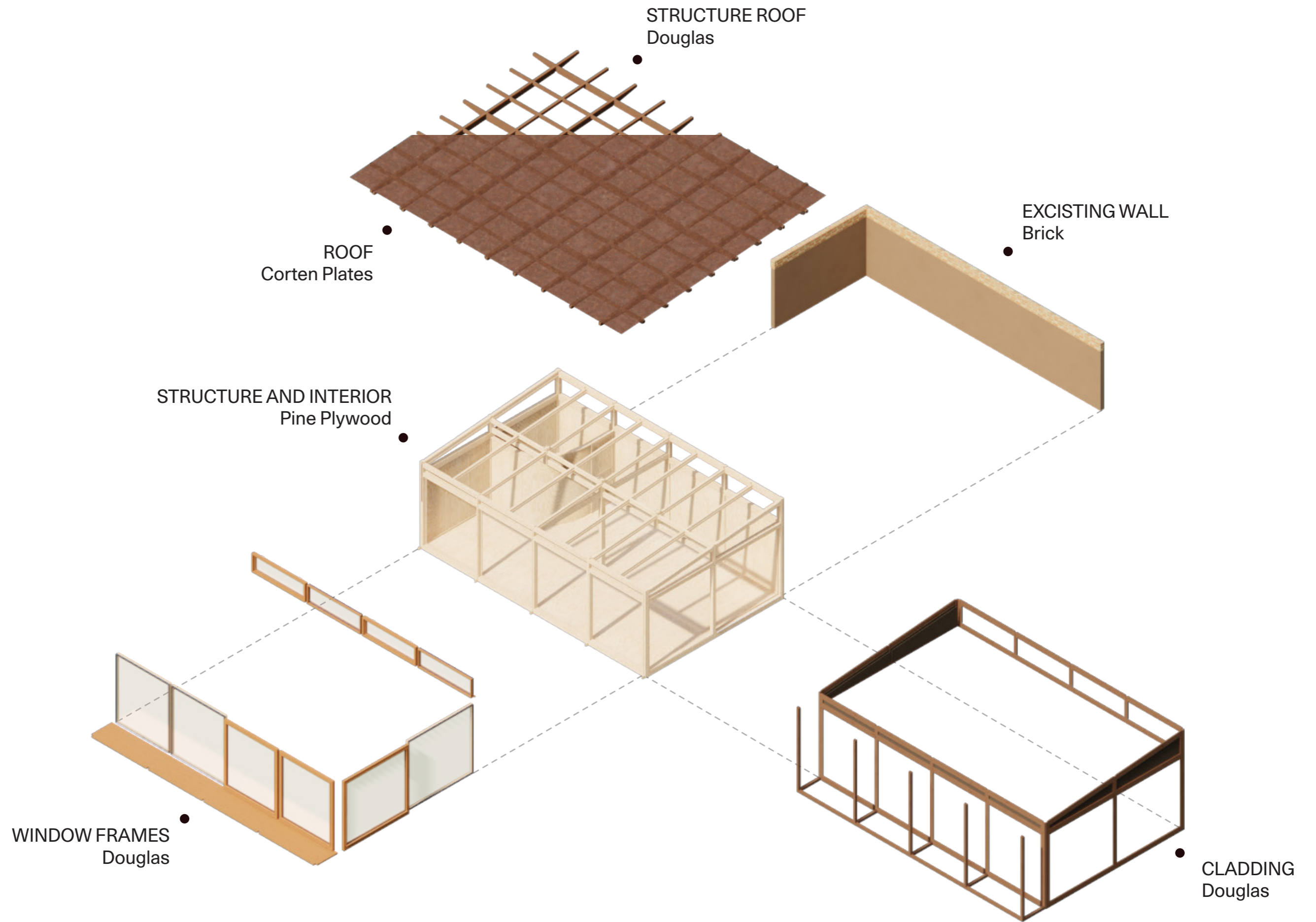


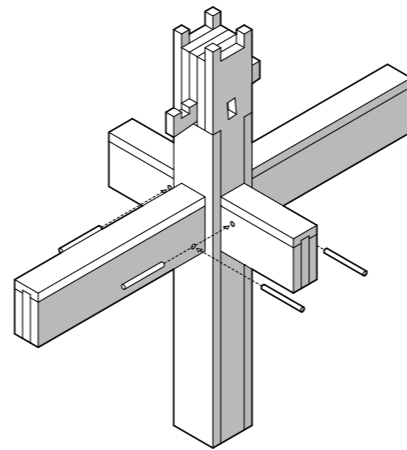
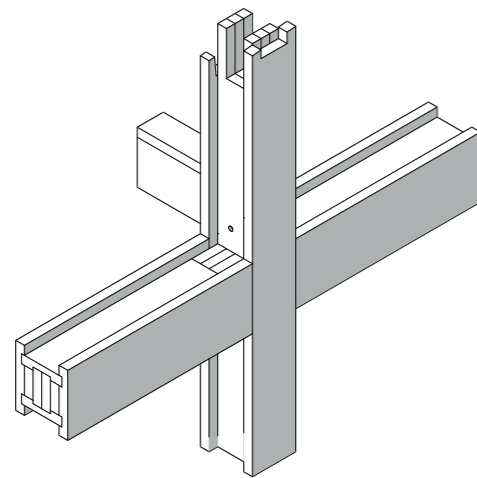
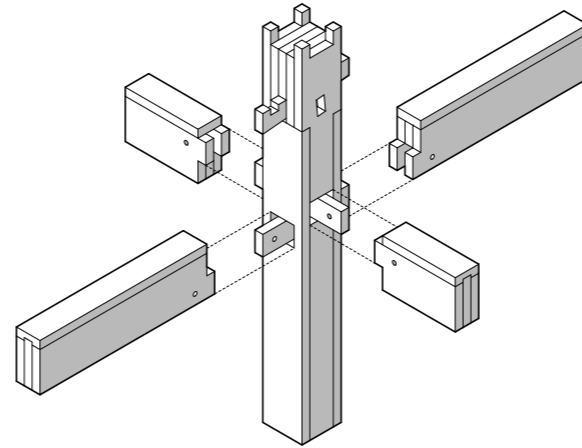
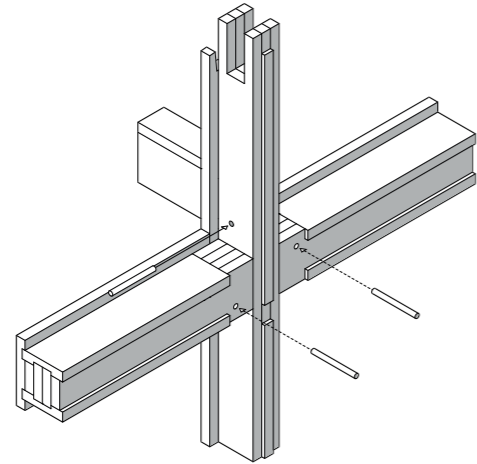
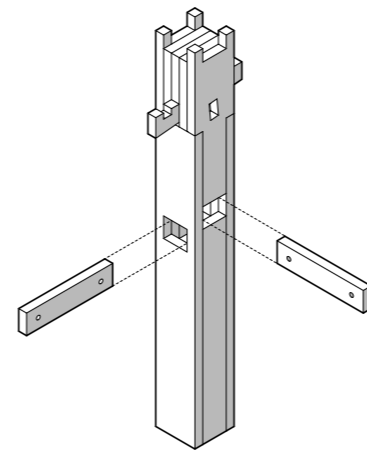
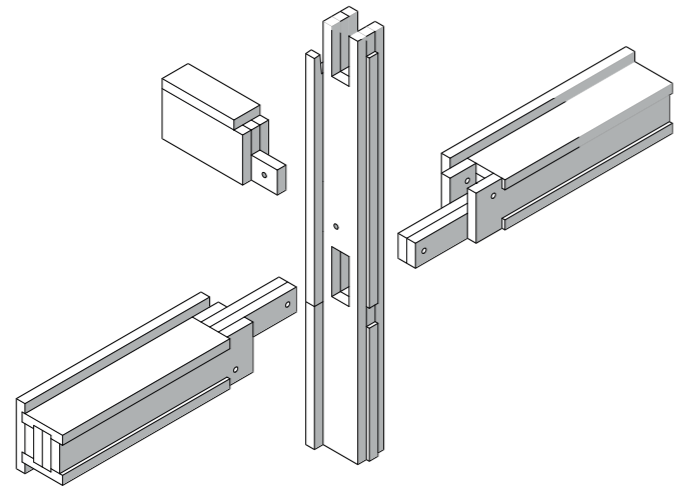
FIGURE 22 (continued): Carpenter's scroll (right to left).

system of horizontals and verticals capable only of sustaining vertical stress, possessing nothing to resist horizontal stress other than its own

MAIN ELEMENTS AND MATERIALS

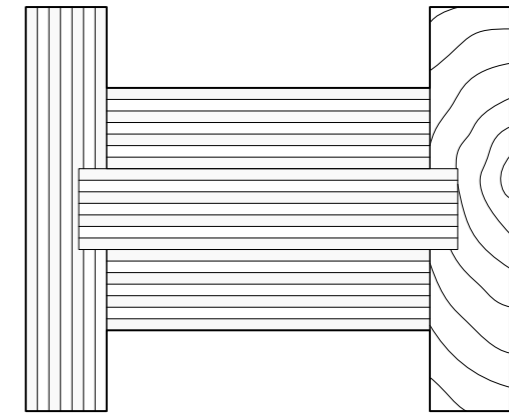


JOINING OF PARTS AND MATERIALS

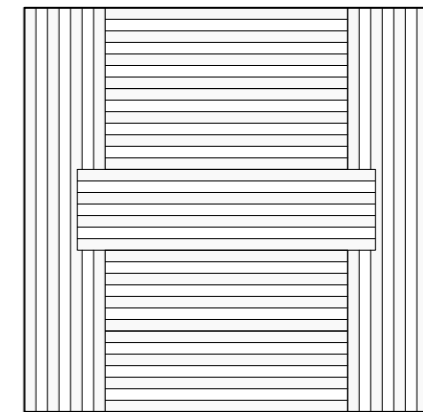


● INTERMEDIATE COLUMN

● CENTER COLUMN



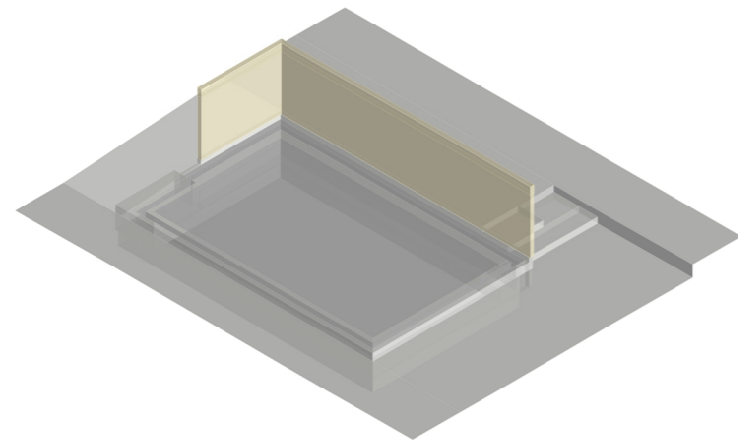
● INTERMEDIATE COLUMN
Plywood inside / Douglas Outside



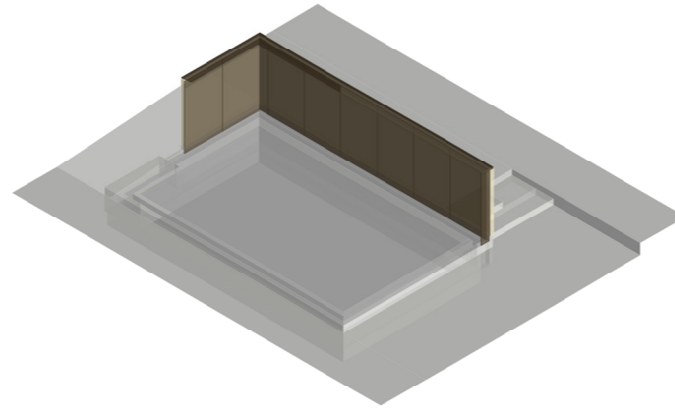
● CENTER COLUMN
Laminated plywood

MATERIAL PALLET

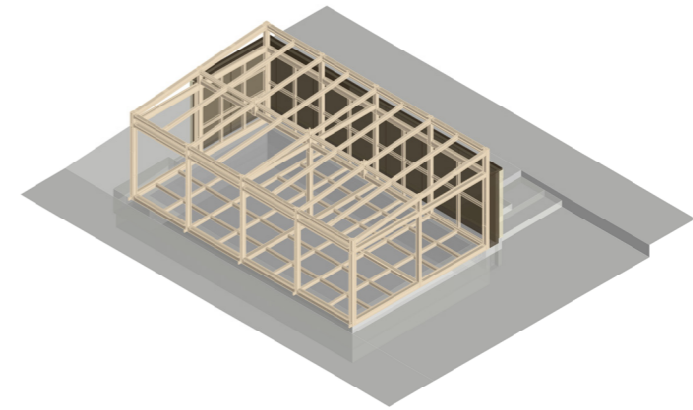




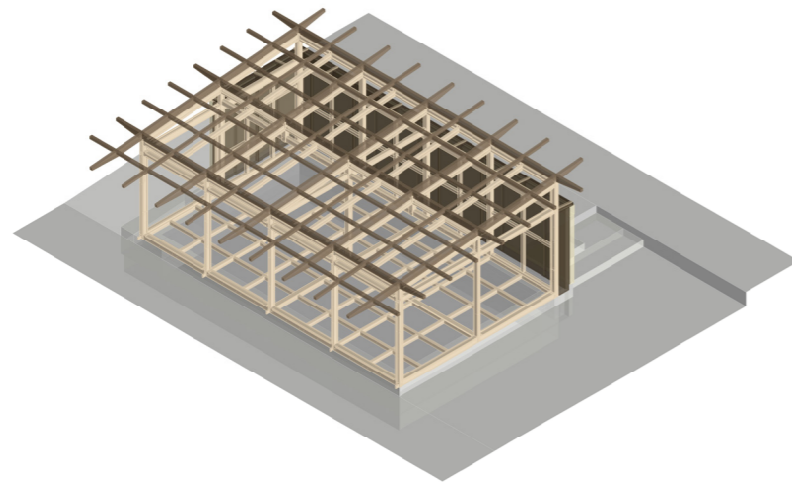
Excisting Condition



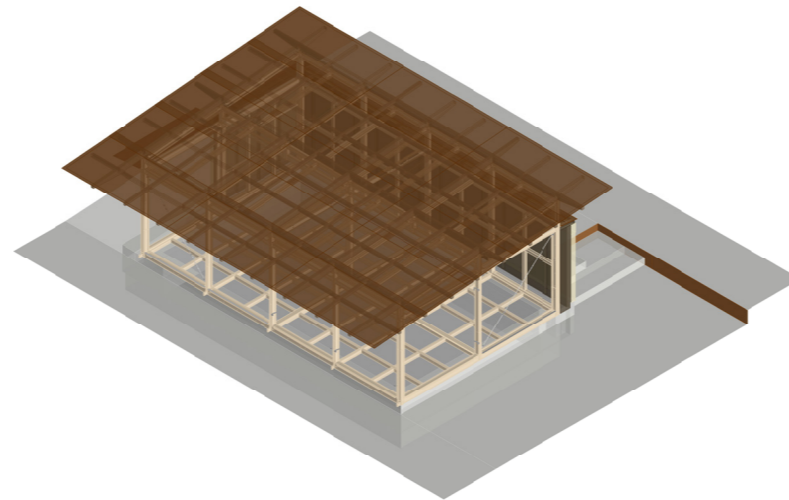
Moist barrier _Brick wall



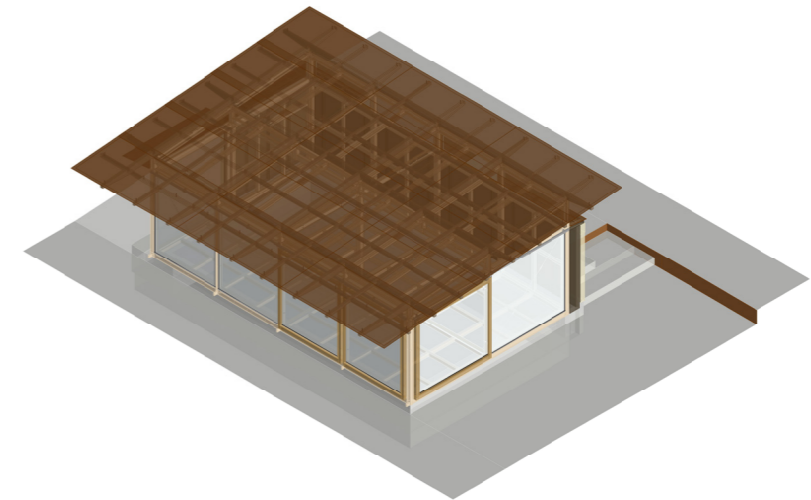
Post Beam Structure _ Plywood



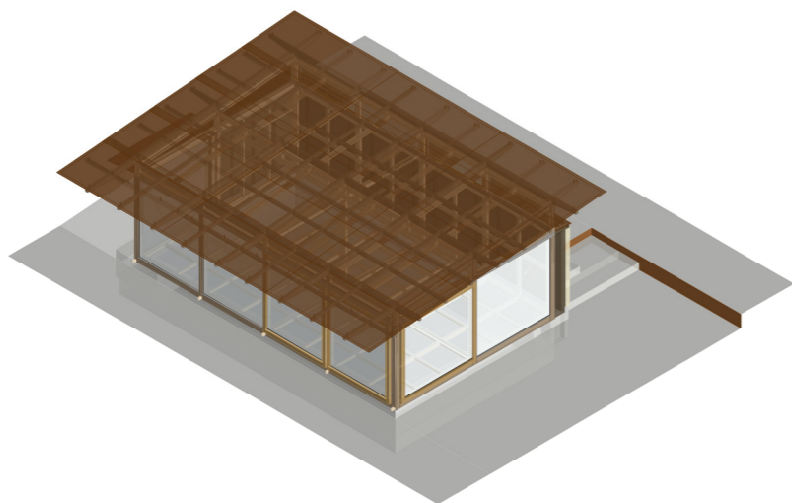
Roof Structure _ Douglas + Cross bracing



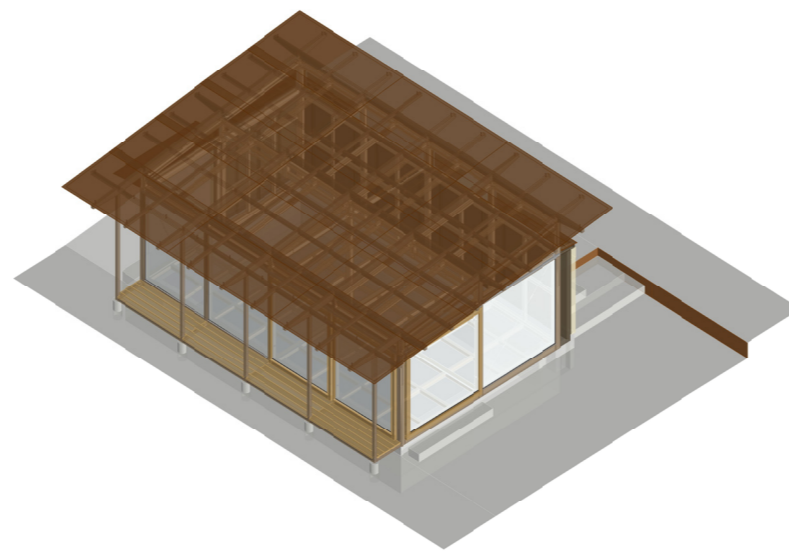
Roof Panels _ Moist barrier + Corten



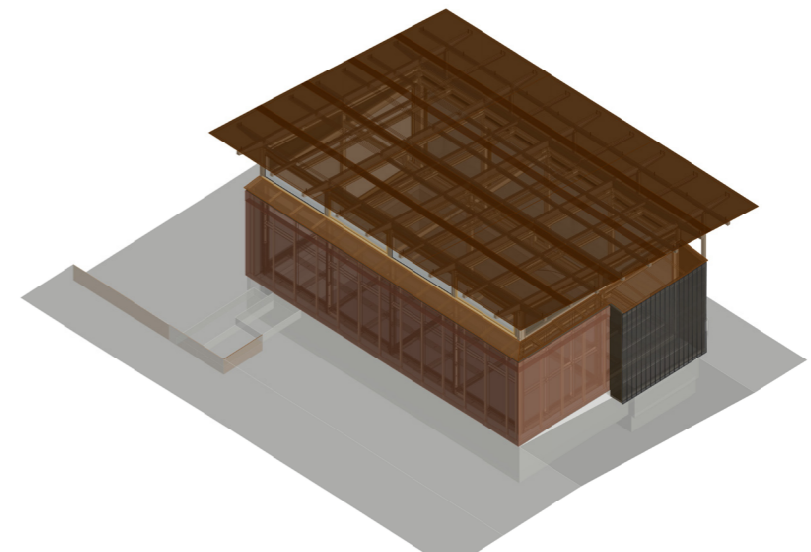
Tracks + Windows



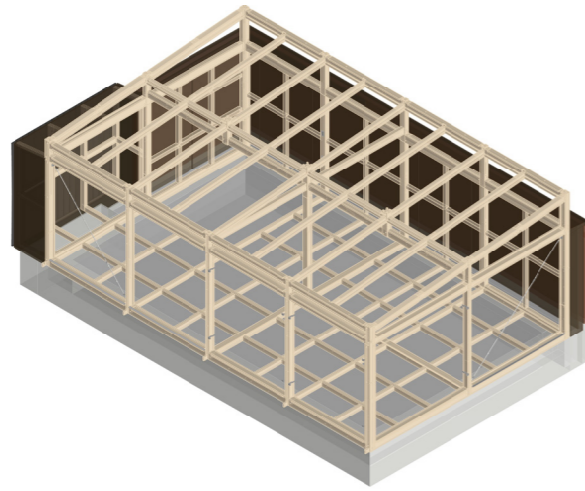
Cover Boards Douglas



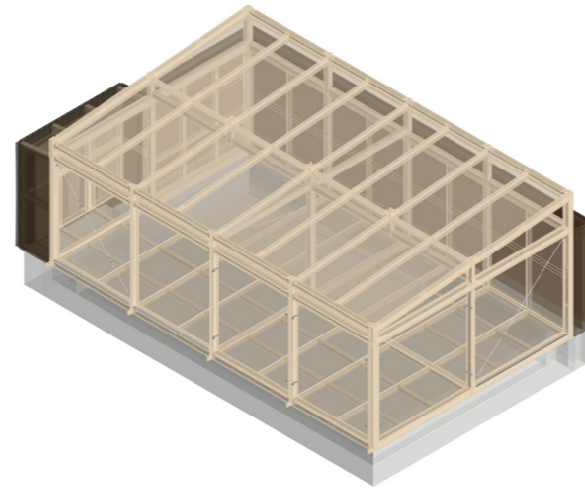
Terasse



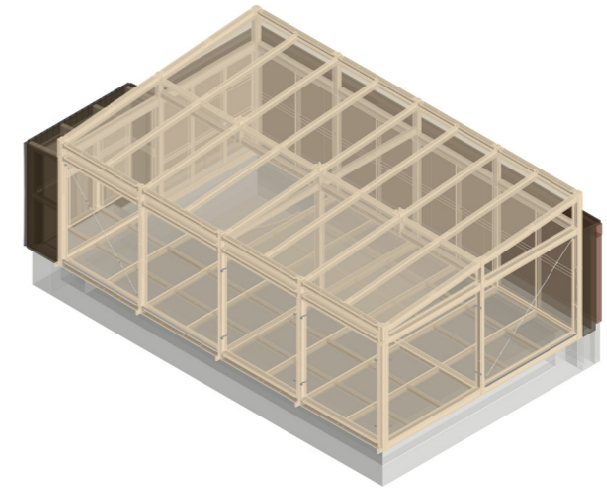
Brick Render



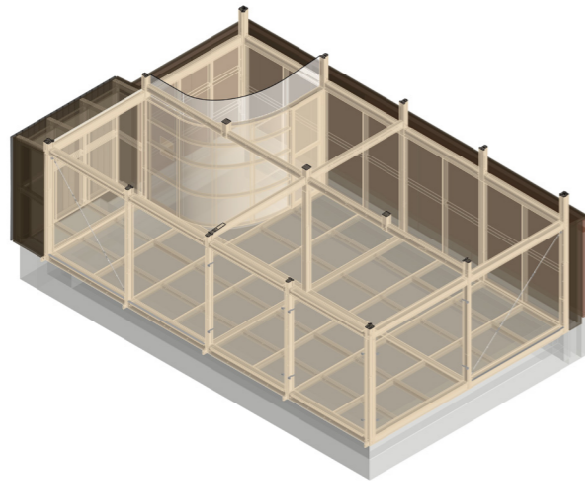
Mechanical Wiring



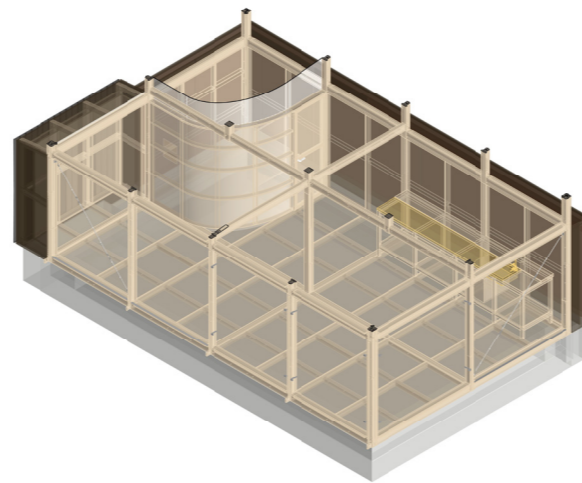
Panels _ Plywood



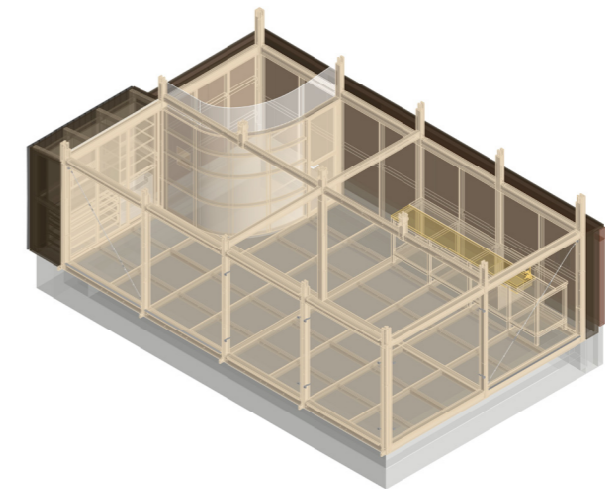
Insulation _ Blow-in Paperpulp



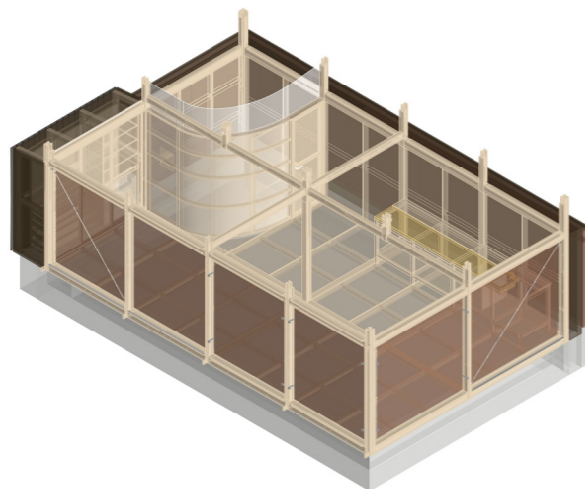
Curved Wall _ Bathroom



Kitchen and Boiler



Storage and heater



Curtains and light

HOUSE 01 SVANEKÆRET ARCHIVAL STUDIES

Architects

Archival Studies

Værkstedvej 23
2500 København

Client

Conni Frøge

Svanekæret 3
3220 Tisvilde

Date: 2024 07 05